

<b>Maximum pressure</b>	<b>700 bar</b>
<b>Force</b>	<b>10-50 tf</b>
<b>Stroke</b>	<b>200-600 mm</b>
<b>Closed height</b>	<b>250-390 mm</b>
<b>Outside diameter</b>	<b>110-230 mm</b>



## Description

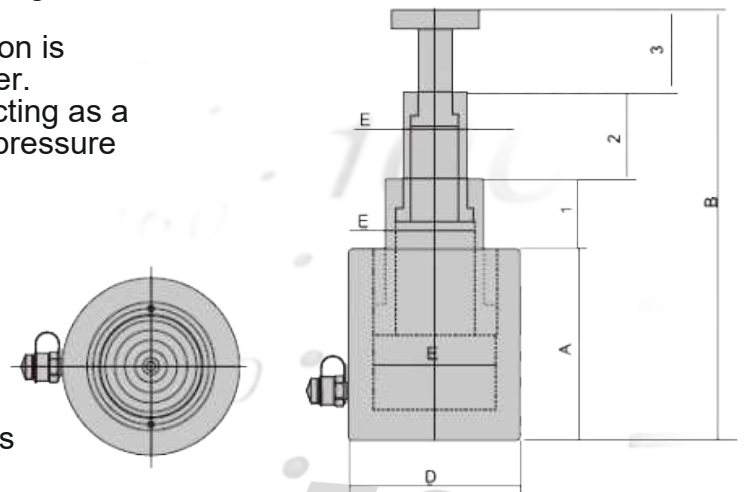
HCS.T telescopic hydraulic cylinders are single-acting cylinders.

Connection to the hydraulic system of the application is made through the hydraulic block fixed on the cylinder.

The lower block contains a female quick coupler acting as a pilot-operated check valve, required for maintaining pressure inside the hydraulic cylinder

## General features

- Corrosion protection treatment on the main surfaces
- Reductions and couplers used: CR 400
- Equipped with handles for easy handling



## Advantages

Recommended for:

- vertical lifting and lowering operations, due to the double guides with which the intermediate rods are equipped
- fast operations, due to the single hydraulic action and reduced weight

Model	Capacitate cilindri 700 bar			Cursa (mm)	Cursa totala (mm)	Suprafata (cm <sup>2</sup> )	Rezervor (cm <sup>3</sup> )	Inaltime in stare inchisa A (mm)	Diametru exterior D (mm)	Diametru interior E (mm)	Greutate (kg)	Dimensiuni (mm)		
	Tone	Trepte	Fora (kN)									J	K	L
HCS.T-10.270	10	2	111	135	270	15.9	810	250	110	45	18	48	19	16.5
		1	309	135		44.2				75				
HCS.T-10.435	10	3	111	145	435	15.9	2250	280	153	45	40	78	19	16.5
		2	309	145		44.2				75				
		1	665	145		95.0				110				
HCS.T-15.300	15	2	166	150	300	23.7	1308	280	125	55	28	63	19	16.5
		1	445	150		63.6				90				
		3	166	170		23.7				55				
HCS.T-15.510	15	2	445	170	510	63.6	3543	320	175	90	60	112	19	16.5
		1	1002	170		143.1				135				
		2	309	150		44.2				75				
HCS.T-30.300	30	2	309	150	300	44.2	2088	304	152	75	45	85	23	16.5
		1	665	150		95.0				110				
		3	309	200		44.2				75				
HCS.T-30.600	30	2	665	200	600	95.0	6803	366	220	110	106	142	23	16.5
		1	1496	200		213.7				165				
		2	496	150		70.8				95				
HCS.T-50.300	50	1	1002	150	300	143.1	3800	350	170	135	68	105	29	16.5
		2	496	200		70.8				95				
		3	496	200		143.1				135				
HCS.T-50.600	50	2	1002	200	600	143.1	9500	390	230	135	152	160	29	16.5
		1	1984	200		283.4				190				
		2	496	200		70.8				95				